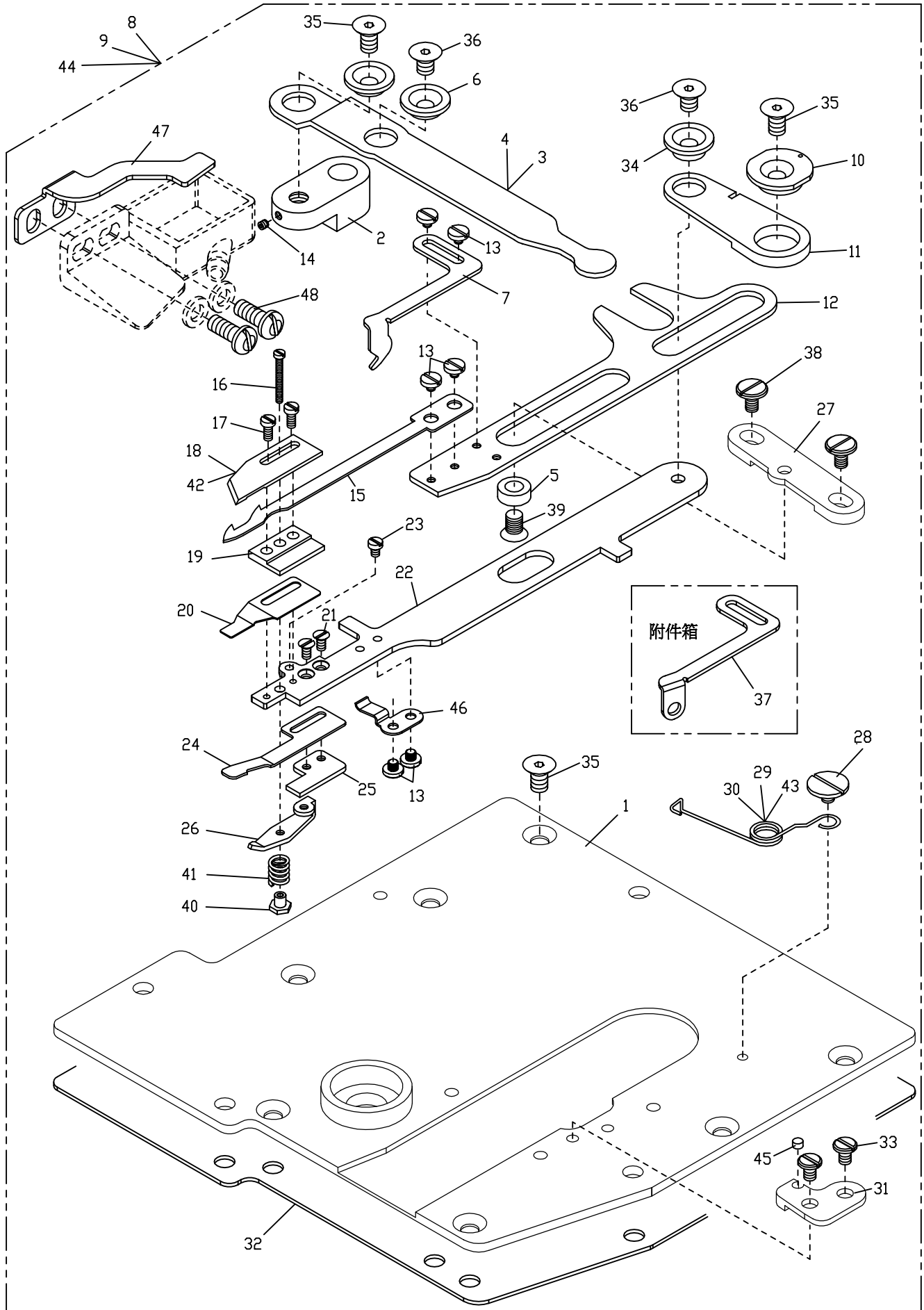


1. UTB08/UTB08B/UTB09/UTB09B/UTB09F/UTB09BF/UTC08/UTC09/UTC09F/UTG08
 UTG09/UTG09F/UTH08/UTH09/UTH09F 下切線機構 Under Trimmer Components



1. UTB08/UTB08B/UTB09/UTB09B/UTB09F/UTB09BF/UTC08/UTC09/UTC09F
 UTG08/UTG09/UTG09F/UTH08/UTH09/UTH09F 下切線機構

Under Trimmer Components

序號 Ref.No.	物料編號 Parts No.	名稱 Description	單位用量 Amt.Req.
1	4UTB0801012	下軸內蓋 Crank Chamber Cover -----	1
2	4UTB020102	連結塊 Connecting Block-----	1
*3	4UTB020103	驅動臂 Driving Lever-----	1
**4	4UTC020117	驅動臂 Driving Lever-----	1
5	4UTB020105	隔環 Spacer -----	1
6	4UTB020106	隔環 Spacer -----	2
7	4UTB0801071	導線 Thread Guide Eyelet -----	1
*8	4UTB08A0108	下切線組 Under Trimmer Components -----	1
**9	4UTC08A0109	下切線組 Under Trimmer Components -----	1
10	4UTB000110	調整隔環 Adjusting Ring -----	1
11	4UTB010111	擺動臂 Lever -----	1
12	4UTB010112	活動刀座 Lower Knife Carrier -----	1
13	8MB75180205A	螺絲 Screw (UTB0113 M2.5-0.45*2) -----	6
14	8MN03200300A	螺絲 Screw (CT0115 M3-0.5*3) -----	1
15	4UTB000115	活動刀片 Lower Movable Knife -----	1
16	8MB02161504E	螺絲 Screw (UTB020116 M2-0.4*14.8) -----	1
17	8MB02160505A	螺絲 Screw (UTB0117 M2-0.4*4) -----	2
18	4UTB000118	固定刀片 Lower Fixed Knife -----	1
19	4UTB000119	滑道 Lower Movable Knife Guide -----	1
20	4UTB000120	簧片 Clamp Spring -----	1
21	8ME02160404A	螺絲 Screw (CT12-15 M2-0.4*3) -----	2
22	4UTB080122	固定刀座 Lower Knife Holder -----	1
23	8MB02160304A	螺絲 Screw (UTB0137 M2-0.4*3) -----	1
24	4UTB000124	簧片 Knife Pressure Spring -----	1
25	4UTB000125	墊片 Clamp Spring Pressure Holder -----	1
26	4UTB010126	簧壓調整片 Clamp Spring Adjusting Piece -----	1
27	4UTB080127	固定座 Bracket Holder-----	1
28	8MB03200410G	螺樁 Stud (UTB02-01-28 M3-0.5*2.5) -----	1
*29	4UTB000129	彈簧 Spring -----	1
**30	4UTB010143	彈簧 Spring -----	1
31	4UTB080131	定位塊 Upper Knife Carrier Guide -----	1
32	4UTB080132	防漏墊片 Gasket -----	1
33	8MB85240407A	螺絲 Screw (FT0538 M3.5-0.6*4) -----	2
34	4UTB000108	隔環 Spacer -----	1
35	8MQ04280808A	螺絲 Screw (UTB0109 M4-0.7*8) -----	9
36	8MQ04280608A	螺絲 Screw (UTB0107 M4-0.7*6) -----	2
37	4UTB080107	導線 Thread Guide Eyelet -----	1
38	8MB04280508A	螺絲 Screw (UTB20127 M4-0.7*5.5) -----	2
39	8ME04280507A	螺絲 Screw (UTB020139 M4-0.7*4) -----	1
40	4UTB020149	螺帽 Nut -----	1
41	4UTB020150	彈簧 Spring -----	1
◎42	4UTB020152	固定刀片 Lower Fixed Knife -----	1
◎43	4UTB020153	彈簧 Spring -----	1
◎44	4UTB08A0144	下切線組 Under Trimmer Components -----	1
45	4UTB000135	減震墊 Rubber Cushion -----	1
46	4UTB080146	夾簧 Supplementary Spring -----	1
47	4UTB080147	下刀托架 Lower Knife Carrier Guide -----	1
48	8MB04281007K	螺絲 Screw(CT1237 M4-0.7*10) -----	2

* 用於氣動式切線裝置 Pneumatic Type

(UTB08 / UTB08B / UTB09 / UTB09B / UTB09F / UTB09BF / UTG08 / UTG09 / UTG09F / UTH08 / UTH09 / UTH09F)

** 用於電動式切線裝置 Electric Type (UTC08 / UTC09 / UTC09F)

UTB08 / UTC08 : 用於 CX2000 機型

UTG08 : 用於 CX2085 / CX2311 機型 (3閥)

UTB08B : 用於 CX2060 機型

UTG09 : 用於 CXD2085/CXD2311/CXM2085/CXM2311 機型 (3閥)

UTB09 / UTC09 : 用於 CXD2000/CXM2000 機型

UTG09F : 用於 CXN2311 / CXU2311 機型 (3閥)

UTB09B : 用於 CXD2060/CXM2060 機型

UTH08 : 用於 CX2000 機型 (3閥)

UTB09F / UTC09F : 用於 CXU2000 / CXN2000 機型

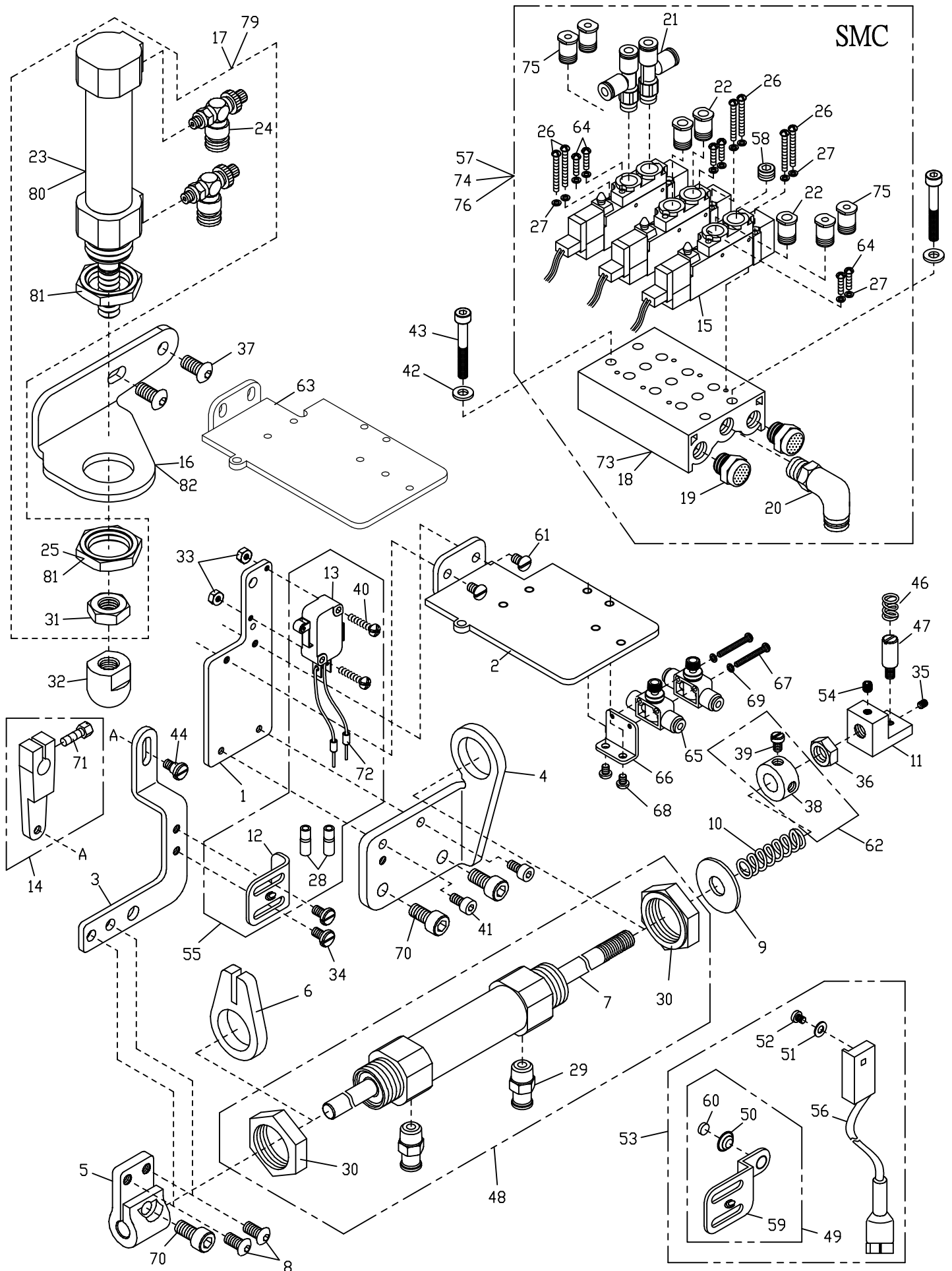
UTH09 : 用於 CXD2000/CM2000 機型 (3閥)

UTB09BF : 用於 CXU2060 / CXN2060 機型

UTH09F : 用於 CXU2000 / CXN2000 機型 (3閥)

◎ 特購品(用於氣動粗線切線裝置) Made to order item (Using on pneumatic type underbed thick thread trimmer)

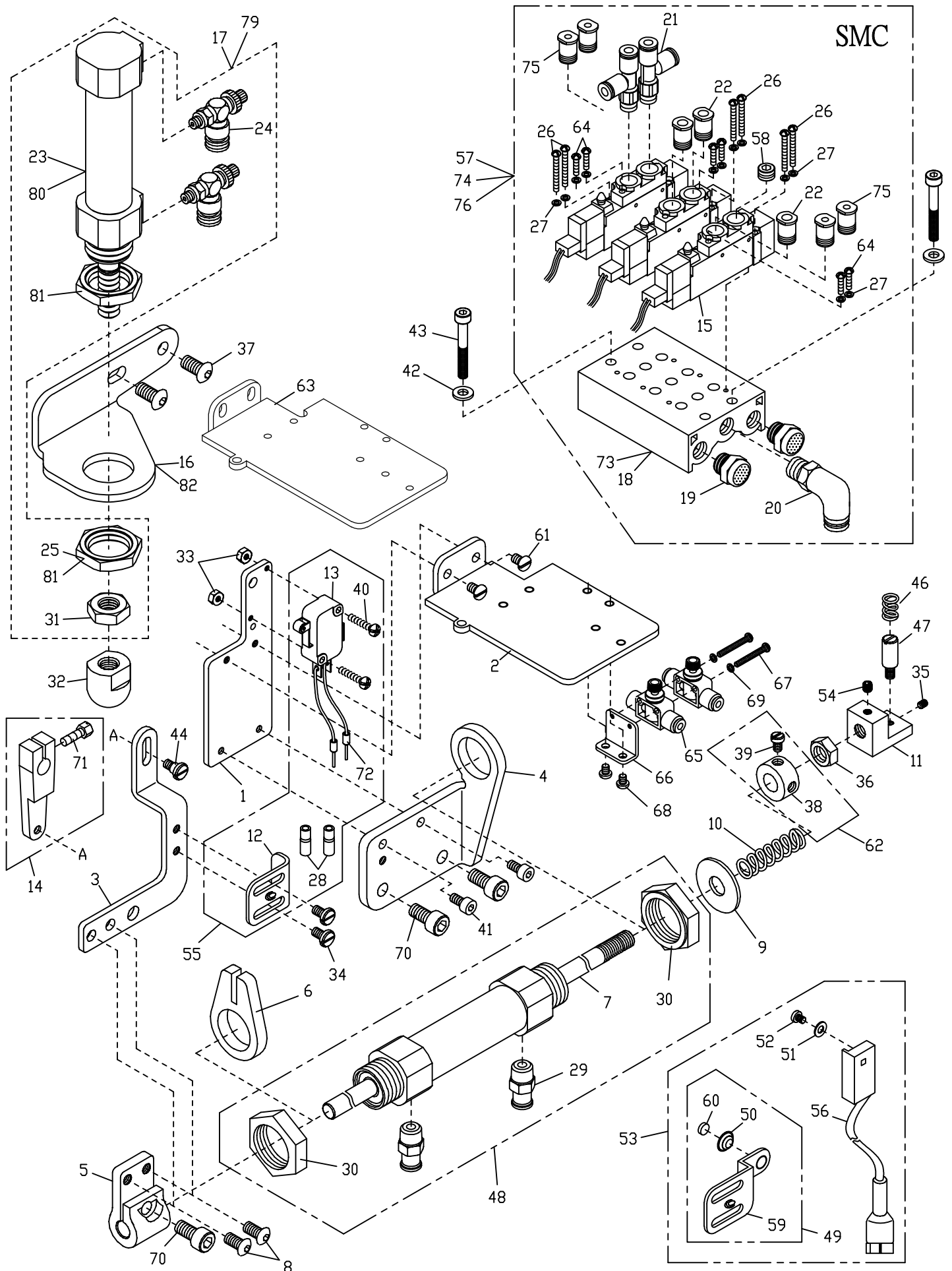
2. UTB03/UTB03F/UTB05/UTB07/UTB07B/UTB07F/UTB08/UTB08B/UTB09/UTB09B
 UTB09F/UTB09BF/UTB10F/UTB10BF/UTG03/UTG03F/UTG08/UTG09/UTG09F/UTG11
 UTG11F/UTH03/UTH03F/UTH08/UTH09/UTH09F 空壓組件 Compressed Air Components



2. UTB03/UTB03F/UTB05/UTB07/UTB07B/UTB07F/UTB08/UTB08B/UTB09
 UTB09B/UTB09F/UTB09BF/UTB10F/UTB10BF/UTG03/UTG03F/UTG08
 UTG09/UTG09F/UTG11/UTG11F/UTH03/UTH03F/UTH08/UTH09/UTH09F
 空壓組件 Compressed Air Components

序號 Ref.No.	物料編號 Parts No.	名稱 Description	單位用量 Amt. Req.
1	4UTB0202011	安全開關座 Safety Switch Bracket -----	1
2	4UTG020102	基板 Base -----	1
3	4UTB020203	連桿 Connecting Plate -----	1
4	4UTB020204	氣缸座 Cyliner Bracket-----	1
5	4UTB020205	固定座 Bracket Holder-----	1
6	4UTB0202061	導軌 Yoke Guide -----	1
7	4UTB0202071	氣壓缸 Cylinder -----	1
8	8MP05320810A	螺絲 Screw (STB0117 M5-0.8*8) -----	2
9	2200001510	墊片 Washer -----	1
10	4UTB020210	彈簧 Spring -----	1
11	4UTB020211	承座 Plunger -----	1
12	4UTB020212	擋片 Stopper -----	1
13	4UTB000336	安全開關 Safety Switch -----	1
14	4UTB010337	曲柄 Tension Release lever -----	1
15	4UTB010315S	換向閥 Electromagnetic Valve -----	-
16	4UTB030216	固定座 Bracket Holder-----	1
17	4UTB03A0217	氣壓缸組 Cylinder Asm-----	1
18	4UTB010318S	換向閥座 Electromagnetic Valve Base -----	-
19	4UTG010319S	消音器 Silencer -----	2
20	4UTB020266S	空氣管接頭 Elbow Connector -----	1
21	4UTB010311S	空氣管接頭 Connector -----	2
22	4UTB010312S	空氣管接頭 Connector -----	-
23	4UTB030223	氣壓缸 Cylinder -----	1
24	4UTB000305	節流閥 Speed Controller -----	2
25	8MA22600627A	螺帽 Nut (UTB30225 M22-1.5*6) -----	1
26	4UTB010313S	螺絲 Screw -----	-
27	4UTB010314S	彈簧墊圈 Spring Washer -----	-
28	4UTB020228	絕緣套管 Bushing -----	2
29	4UTB020229	空氣管接頭 Elbow Connector -----	2
30	8MA20600627A	螺帽 Nut (UTB20230 M20-1.5*6) -----	2
31	8MA10600617A	螺帽 Nut -----	1
32	4PFE010113	套管 Clutch Sleeve -----	1
33	8MA03200306A	螺帽 Nut (FTB0111 M3-0.5*3) -----	2
34	8MB04280507K	螺絲 Screw (FT0235 M4-0.7*5) -----	2
35	8MN03200400A	螺絲 Screw (UH0125 M3-0.5*4) -----	1
36	8MA08500513A	螺帽 Nut (FTC10126 M8-1.25*5)-----	1
37	8MP06401211A	螺絲 Screw (UTB0302 M6-1*12) -----	2
38	4UTB010245	定位環 Collar -----	1
39	8MC95300606F	螺絲 Screw(CT0823 M4.5-0.75*5) -----	1
40	8MC03201606D	螺絲 Screw (UTB03351 M3-0.5*16) -----	2
41	8MM04280807A	螺絲 Screw (MT0124 M4-0.7*8) -----	2
42	90SW040	彈簧墊圈 Spring Washer -----	2
43	8MM04283007B	螺絲 Screw (UTB01-03-16 M4-0.7*30) -----	2
44	8MB04280908G	螺樁 Stud (UTB0339 M4-0.7*4) -----	1
◎45	4UTJ02A0165	換向閥組 Electromagnetic Valve Asm-----	-
46	2200000816	彈簧 Spring -----	1
47	8MB04280607M	螺樁 Stud (UTC2-01-34 M4-0.7*5.5) -----	1
48	4UTB02A02011	氣壓缸組 Cylinder Asm. -----	1
49	4UTB02A0249	支架組 Knife Holder Bracket Asm -----	1
50	4UTB020250	銅扣 Brass Button -----	1
51	2200001025	墊圈 Washer -----	1
52	8SB44400608K	螺絲 Screw (SH0128 11/64-40*6)-----	1
*53	4UTB02A0253	磁控支架組 Magnetic Type Safety Switch SET. -----	1
54	8MN04280400A	螺絲 Screw (CT0229 M4-0.7*4) -----	1
55	4UTB02A0255	觸控支架組 One Touch Type Safety Switch SET. -----	1
56	4UTB020256	安全開關 Safety Switch -----	1
57	4UTB01A03491S	換向閥組 Electromagnetic Valve Asm-----	-
58	4UTB010377S	螺帽 Nut -----	-
59	4UTB020259	支架 Knife Holder Bracket -----	1
60	4UTB000444	磁鐵 Magnet -----	1

2. UTB03/UTB03F/UTB05/UTB07/UTB07B/UTB07F/UTB08/UTB08B/UTB09/UTB09B
 UTB09F/UTB09BF/UTB10F/UTB10BF/UTG03/UTG03F/UTG08/UTG09/UTG09F/UTG11
 UTG11F/UTH03/UTH03F/UTH08/UTH09/UTH09F 空壓組件 Compressed Air Components



2. UTB03/UTB03F/UTB05/UTB07/UTB07B/UTB07F/UTB08/UTB08B/UTB09
 UTB09B/UTB09F/UTB09BF/UTB10F/UTB10BF/UTG03/UTG03F/UTG08
 UTG09/UTG09F/UTG11/UTG11F/UTH03/UTH03F/UTH08/UTH09/UTH09F
 空壓組件 Compressed Air Components

序號 Ref.No.	物料編號 Parts No.	名稱 Description	單位用量 Amt. Req.
61	8MB04280607K	螺絲 Screw (MT0233 M4-0.7*6) -----	2
62	4UTB01A0255	定位環組 Collar Asm-----	1
◎63	4UTJ020102	基板 Base -----	1
64	4UTB010362S	螺絲 Screw-----	-
65	4WPC000114	節流閥 Speed Controller -----	2
66	4UTB020262	支架 Cylinder Holder Bracket -----	1
67	8MC03202506D	螺絲 Screw (UTB03-02-67 M3-0.5*25) -----	2
68	8MB04280507A	螺絲 Screw (UH0917 M4-0.7*4.5) -----	2
69	90SW030	彈簧墊圈 Spring Washer -----	2
70	8MM06401210A	螺絲 Screw (FT1103 M6-1*12) -----	3
71	8MK95301407A	螺絲 Screw (CT0837 M4.5-0.75*14) -----	1
72	4UTB020272	公端子 Power cord -----	2
73	4UTG0103181S	換向閥座 Electromagnetic Valve Base -----	-
74	4UTG01A03491S	換向閥組 Electromagnetic Valve Asm-----	-
75	4UTH020121S	空氣管接頭 Elbow Connector -----	-
◎76	4UTH02A0157S	換向閥組 Electromagnetic Valve Asm-----	-
77	-----	-----	-
78	-----	-----	-
**79	4UTB02FA0217	氣壓缸組 Cylinder Asm-----	1
**80	4UTB02F0223	氣壓缸 Cylinder -----	1
**81	8MA22600630A	螺帽 Nut (M22-1.5*6) -----	2
**82	4UTB02F0216	固定座 Bracket Holder-----	1

* 選購 To pick and make purchase

** 用於 UTB03F/UTB07F/UTB09F/UTB09BF/UTB10F/UTB10BF/UTG03F/UTG09F/UTH03F/UTH09F/UTG11F

◎ 特註品 Custome-made Item

機型 Model UTB03/UTB03F/UTB05/UTB07/UTB07B/UTB07F/UTB08/UTB08B/UTB09/UTB09B
 UTB09F/UTB09BF/UTB10F/UTB10BF (2顆換向閥 Electromagnetic Valve 2 pcs.)

序號 Ref.No.	15	18	22	26	27	57	64
用量 Req.	2	1	2	4	8	1	4

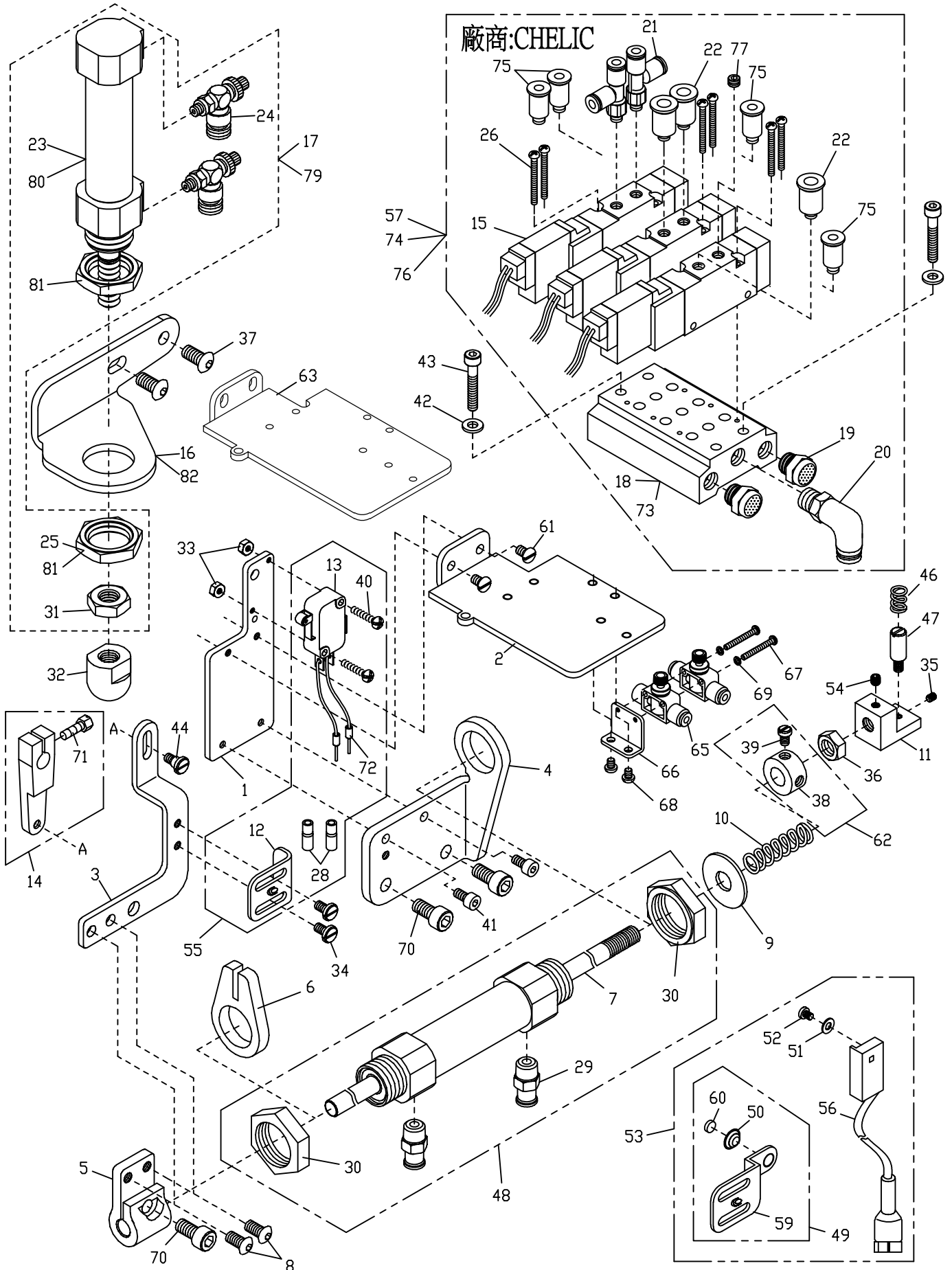
機型 Model UTG03 / UTG03F / UTG08 / UTG09 / UTG09F / UTG11 / UTG11F
 (3顆換向閥 Electromagnetic Valve 3 pcs.)

序號 Ref.No.	15	22	26	27	58	64	73	74
用量 Req.	3	3	6	12	1	6	1	1

機型 Model UTH03 / UTH03F / UTH08 / UTH09 / UTH09F (3顆換向閥 Electromagnetic Valve 3 pcs.)

序號 Ref.No.	15	22	26	27	64	73	75	76
用量 Req.	3	2	6	12	6	1	4	1

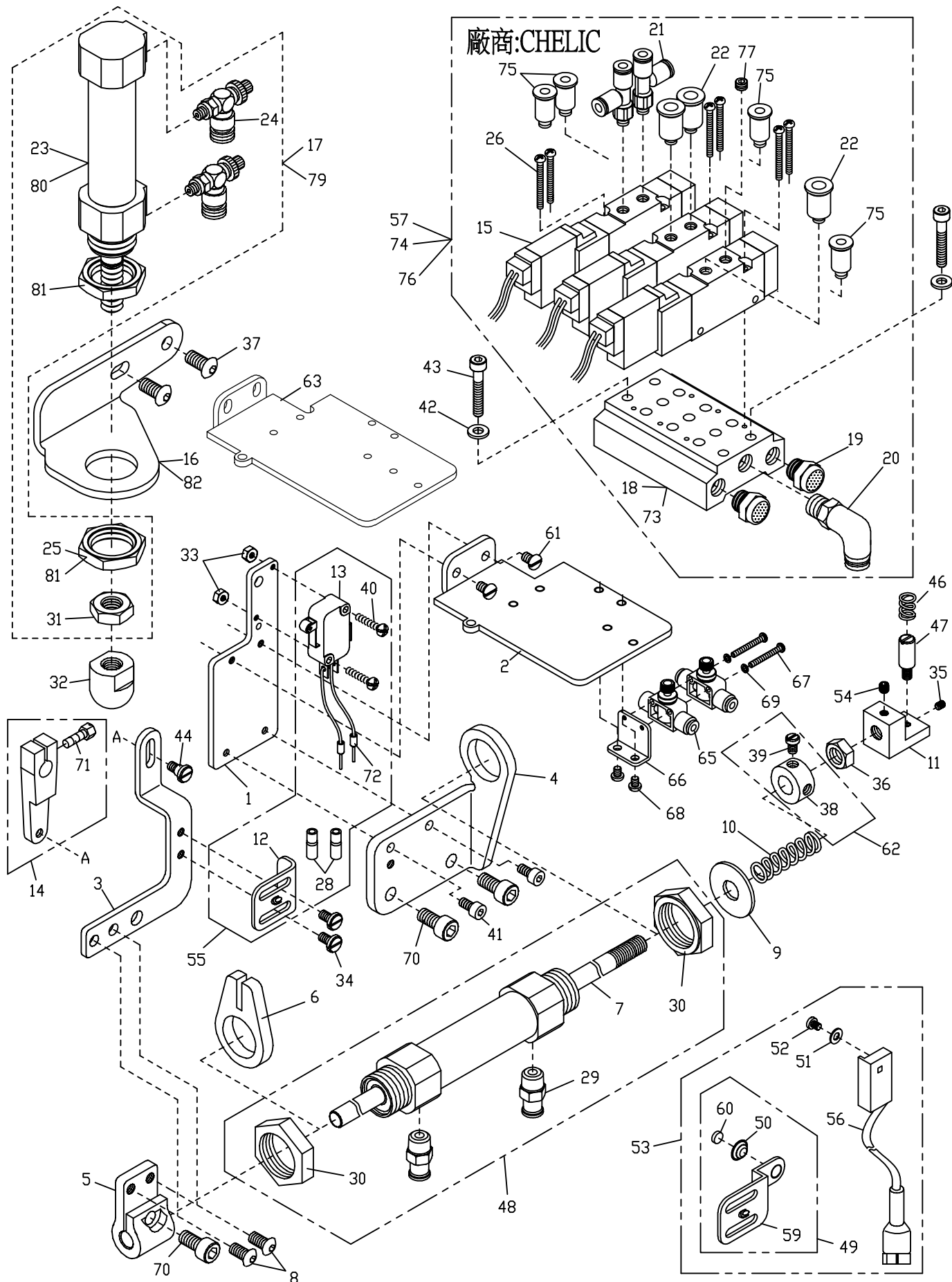
3. UTB03C/UTB03FC/UTB05C/UTB07C/UTB07BC/UTB07FC/UTB08C/UTB08BC
 UTB09C/UTB09BC/UTB09FC/UTB09BFC/UTB10FC/UTB10BFC/UTG03C/UTG03FC
 UTG08C/UTG09C/UTG09FC/UTG11C/UTG11FC/UTH03C/UTH03FC/UTH08C/UTH09C
 UTH09FC 空壓組件 Compressed Air Components



3. UTB03C/UTB03FC/UTB05C/UTB07C/UTB07BC/UTB07FC/UTB08C/UTB08BC
 UTB09C/UTB09BC/UTB09FC/UTB09BFC/UTB10FC/UTB10BFC/UTG03C
 UTG03FC/UTG08C/UTG09C/UTG09FC/UTG11C/UTG11FC /UTH03C/UTH03FC
 UTH08C/UTH09C/UTH09FC 空壓組件 Compressed Air Components

序號 Ref.No.	物料編號 Parts No.	名稱 Description	單位用量 Amt. Req.
1	4UTB0202011	安全開關座 Safety Switch Bracket	1
2	4UTG020102	基板 Base	1
3	4UTB020203	連桿 Connecting Plate	1
4	4UTB020204	氣缸座 Cyliner Bracket	1
5	4UTB020205	固定座 Bracket Holder	1
6	4UTB0202061	導軌 Yoke Guide	1
7	4UTB0202071	氣壓缸 Cylinder	1
8	8MP05320810A	螺絲 Screw (STB0117 M5-0.8*8)	2
9	2200001510	墊片 Washer	1
10	4UTB020210	彈簧 Spring	1
11	4UTB020211	承座 Plunger	1
12	4UTB020212	擋片 Stopper	1
13	4UTB000336	安全開關 Safety Switch	1
14	4UTB010337	曲柄 Tension Release lever	1
15	4UTB0103151	換向閥 Electromagnetic Valve	-
16	4UTB030216	固定座 Bracket Holder	1
17	4UTB03A0217	氣壓缸組 Cylinder Asm	1
18	4UTB0103181	換向閥座 Electromagnetic Valve Base	1
19	4UTG010319	消音器 Silencer	2
20	4UTB0202661	空氣管接頭 Elbow Connector	1
21	4UTB0103111	空氣管接頭 Connector	2
22	4UTB0103121	空氣管接頭 Connector	-
23	4UTB030223	氣壓缸 Cylinder	1
24	4UTB000305	節流閥 Speed Controller	2
25	8MA22600627A	螺帽 Nut (UTB30225 M22-1.5*6)	1
26	4UTB0103131	螺絲 Screw	-
27	-----	-----	-
28	4UTB020228	絕緣套管 Bushing	2
29	4UTB020229	空氣管接頭 Elbow Connector	2
30	8MA20600627A	螺帽 Nut (UTB20230 M20-1.5*6)	2
31	8MA10600617A	螺帽 Nut	1
32	4PFE010113	套管 Clutch Sleeve	1
33	8MA03200306A	螺帽 Nut (FTB0111 M3-0.5*3)	2
34	8MB04280507K	螺絲 Screw (FT0235 M4-0.7*5)	2
35	8MN03200400A	螺絲 Screw (UH0125 M3-0.5*4)	1
36	8MA08500513A	螺帽 Nut (FTC10126 M8-1.25*5)	1
37	8MP06401211A	螺絲 Screw (UTB0302 M6-1*12)	2
38	4UTB010245	定位環 Collar	1
39	8MC95300606F	螺絲 Screw(CT0823 M4.5-0.75*5)	1
40	8MC03201606D	螺絲 Screw (UTB03351 M3-0.5*16)	2
41	8MM04280807A	螺絲 Screw (MT0124 M4-0.7*8)	2
42	90SW040	彈簧墊圈 Spring Washer	2
43	8MM04282507B	螺絲 Screw (FT0719 M4-0.7*25)	2
44	8MB04280908G	螺樁 Stud (UTB0339 M4-0.7*4)	1
45	-----	-----	-
46	2200000816	彈簧 Spring	1
47	8MB04280607M	螺樁 Stud (UTC2-01-34 M4-0.7*5.5)	1
48	4UTB02A02011	氣壓缸組 Cylinder Asm.	1
49	4UTB02A0249	支架組 Knife Holder Bracket Asm	1
50	4UTB020250	銅扣 Brass Button	1
51	2200001025	墊圈 Washer	1
52	8SB44400608K	螺絲 Screw (SH0128 11/64-40*6)	1
*53	4UTB02A0253	磁控支架組 Magnetic Type Safety Switch SET.	1
54	8MN04280400A	螺絲 Screw (CT0229 M4-0.7*4)	1
55	4UTB02A0255	觸控支架組 One Touch Type Safety Switch SET.	1
56	4UTB020256	安全開關 Safety Switch	1
57	4UTB01A03492	換向閥組 Electromagnetic Valve Asm	1
58	-----	-----	-
59	4UTB020259	支架 Knife Holder Bracket	1
60	4UTB000444	磁鐵 Magnet	1

3. UTB03C/UTB03FC/UTB05C/UTB07C/UTB07BC/UTB07FC/UTB08C/UTB08BC
 UTB09C/UTB09BC/UTB09FC/UTB09BFC/UTB10FC/UTB10BFC/UTG03C/UTG03FC
 UTG08C/UTG09C/UTG09FC/UTG11C/UTG11FC/UTH03C/UTH03FC/UTH08C/UTH09C
 UTH09FC 空壓組件 Compressed Air Components



3. UTB03C/UTB03FC/UTB05C/UTB07C/UTB07BC/UTB07FC/UTB08C/UTB08BC
 UTB09C/UTB09BC/UTB09FC/UTB09BFC/UTB10FC/UTB10BFC/UTG03C
 UTG03FC/UTG08C/UTG09C/UTG09FC/UTG11C/UTG11FC /UTH03C/UTH03FC
 UTH08C/UTH09C/UTH09FC 空壓組件 Compressed Air Components

序號 Ref.No.	物料編號 Parts No.	名稱 Description	單位用量 Amt. Req.
61	8MB04280607K	螺絲 Screw (MT0233 M4-0.7*6) -----	2
62	4UTB01A0255	定位環組 Collar Asm-----	1
◎63	4UTJ020102	基板 Base -----	1
64	-----	-----	-
65	4WPC000114	節流閥 Speed Controller -----	2
66	4UTB020262	支架 Cylinder Holder Bracket -----	1
67	8MC03202506D	螺絲 Screw (UTB03-02-67 M3-0.5*25) -----	2
68	8MB04280507A	螺絲 Screw (UH0917 M4-0.7*4.5) -----	2
69	90SW030	彈簧墊圈 Spring Washer -----	2
70	8MM06401210A	螺絲 Screw (FT1103 M6-1*12) -----	3
71	8MK95301407A	螺絲 Screw (CT0837 M4.5-0.75*14) -----	1
72	4UTB020272	公端子 Power cord -----	2
73	4UTG0103182	換向閥座 Electromagnetic Valve Base -----	1
74	4UTG01A03492	換向閥組 Electromagnetic Valve Asm-----	1
75	4UTH0201211	空氣管接頭 Connector -----	-
76	4UTH02A01571	換向閥組 Electromagnetic Valve Asm-----	-
77	4UTG0103551	螺帽 Nut -----	1
78	-----	-----	-
**79	4UTB02FA0217	氣壓缸組 Cylinder Asm-----	1
**80	4UTB02F0223	氣壓缸 Cylinder -----	1
**81	8MA22600630A	螺帽 Nut (M22-1.5*6) -----	2
**82	4UTB02F0216	固定座 Bracket Holder-----	1

◎ 特註品 Custome-made Item

* 選購 To pick and make purchase

** 用於 UTB03FC / UTB07FC / UTB09FC / UTB09BFC / UTB10FC / UTB10BFC / UTG03FC / UTG09FC / UTG11FC

機型 Model UTB03C/UTB03FC/UTB05C/UTB07C/UTB07BC/UTB07FC/UTB08C/UTB08BC
 UTB09C/UTB09BC/UTB09FC/UTB09BFC/UTB10FC/UTB10BFC
 (2顆換向閥 Electromagnetic Valve 2 pcs.)

序號 Ref.No.	15	18	21	22	26	57
用量 Req.	2	1	2	2	4	1

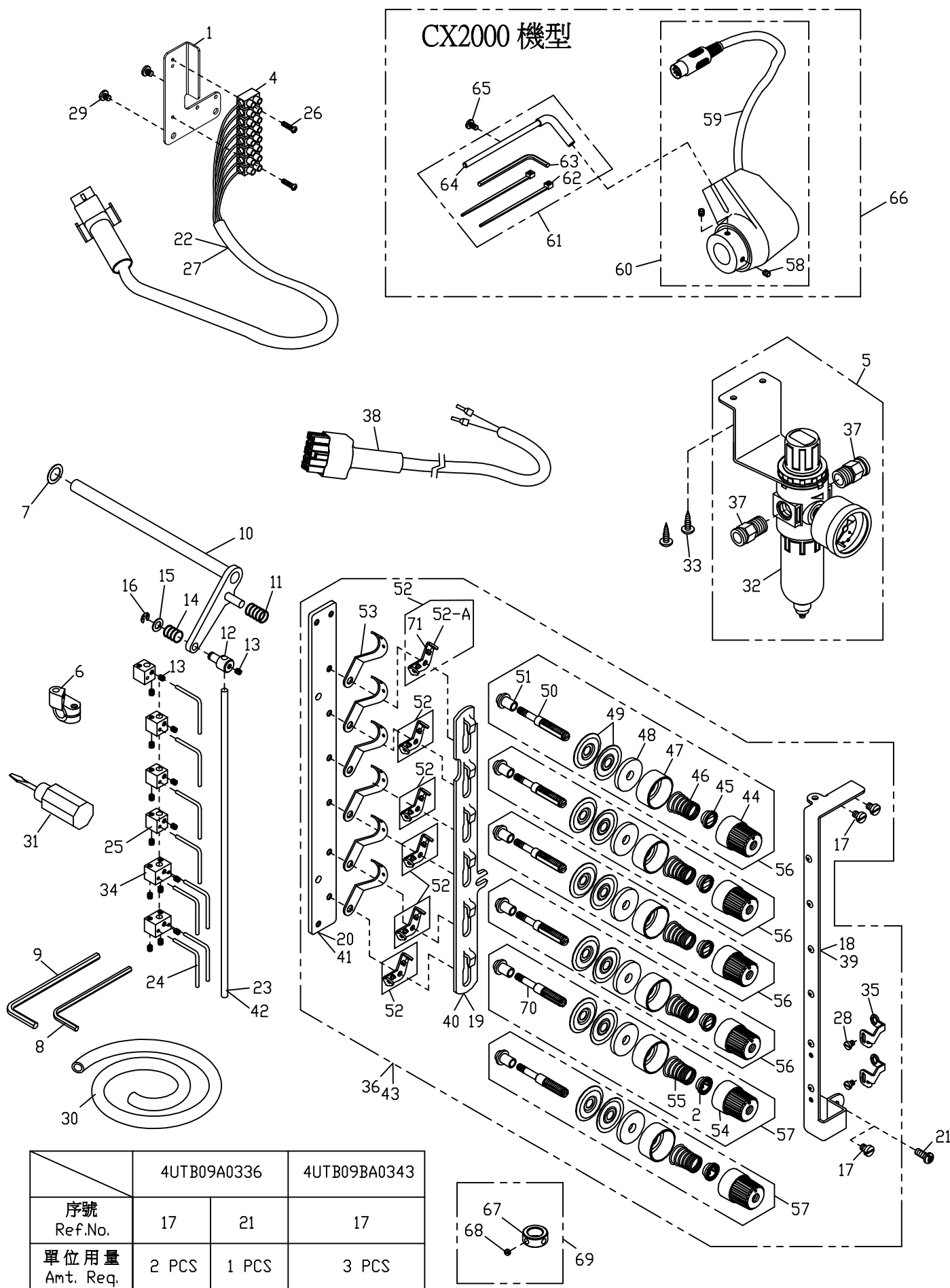
機型 Model UTG03C / UTG03FC / UTG08C / UTG09C / UTG09FC / UTG11C / UTG11FC
 (3顆換向閥 Electromagnetic Valve 3 pcs.)

序號 Ref.No.	15	21	22	26	73	74	77
用量 Req.	3	2	3	6	1	1	1

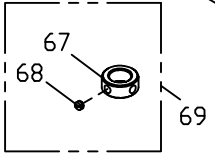
機型 Model UTH03C / UTH03FC / UTH08C / UTH09C / UTH09FC
 (3顆換向閥 Electromagnetic Valve 3 pcs.)

序號 Ref.No.	15	22	26	73	75	76
用量 Req.	3	2	6	1	4	1

4. UTB08/UTB08B/UTB09/UTB09B/UTB09F/UTB09BF/UTG08/UTG09/UTG09F UTH08/UTH09/UTH09F 鬆線機構及更換零件 Thread Tension Components And Motor Components



	4UTB09A0336	4UTB09BA0343
序號 Ref.No.	17	21
單位用量 Amt. Req.	2 PCS	1 PCS



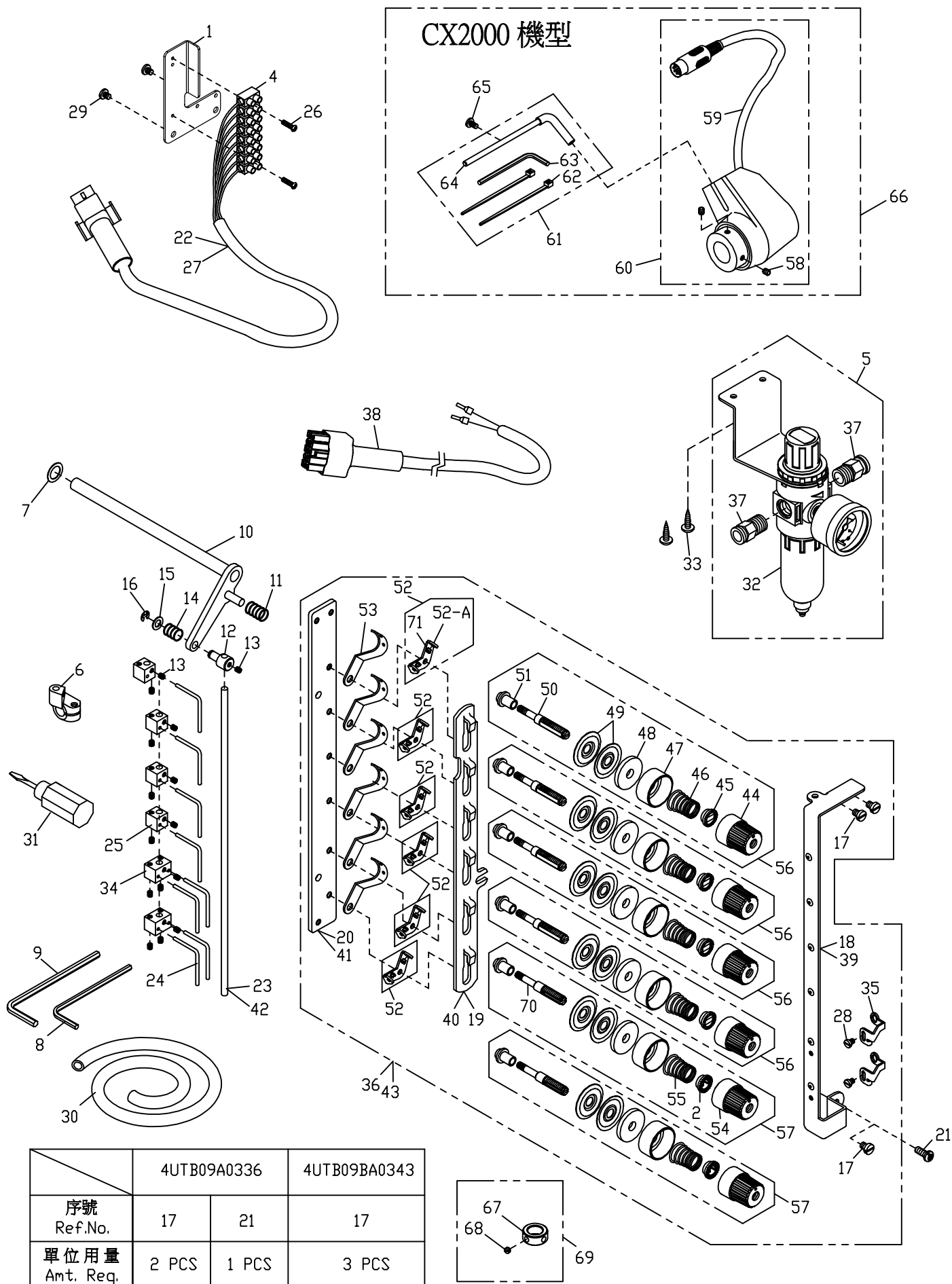
4.UTB08/UTB08B/UTB09/UTB09B/UTB09F/UTB09BF/UTG08/UTG09

UTG09F/UTH08/UTH09/UTH09F 鬆線機構及更換零件

Thread Tension Components And Motor Components

序號 Ref. No.	物料編號 Parts No.	名稱 Description	單位用量 Amt. Req.
1	4UTB080301	端子座固定架 Terminal Holder Support -----	1
2	2100001122	止滑齒輪 Bush -----	-
3	-----	-----	-
4	4UTB000457	控制線接頭 Connector-----	1
5	4UTB00A04582	調壓濾水閥組 Regulator Asm.-----	1
6	4UTB000451	結線鉤座 Looper Holder -----	1
7	4UTB010459	墊片 Clamp Spring Pressure Holder -----	1
8	66635	六角板手 Allen Key 2MM -----	1
9	66640	六角板手 Allen Key 2.5MM -----	1
10	4UTB000410	曲柄 Tension Release Shaft -----	1
11	4UTB000411	彈簧 Spring -----	1
12	4UTB000412	接頭 Pin -----	1
13	8MN03200300A	螺絲 Screw (CT0115 M3-0.5*3) (see the table) -----	-
14	4UTB000414	彈簧 Spring -----	1
15	2200001025	墊圈 Washer -----	1
16	90ER030	E形扣環 E Ring -----	1
17	8MB04280507K	螺絲 Screw (FT0235 M4-0.7*5) -----	-
18	4UTB000418	導線 Thread Guide Eyelet -----	1
19	4UTB0004191	鬆線滑板 Release Wedge -----	1
20	4UTB000420	導線座 Tension Post Support -----	1
21	8MC04281007D	螺絲 Screw (CT0113 M4-0.7*10) -----	-
△22	4UTB090322	換向閥用控制線 Terminal Holder -----	1
23	4UTB000423	導桿 Guide Bar -----	1
24	4UTB000424	鬆線桿 Release Bar (see the table) -----	-
25	4UTB000425	鬆線座 Thread Pull-off Block (see the table) -----	-
26	8MC03201006D	螺絲 Screw (UTB0426 M3-0.5*10) -----	2
27	4UTB000427	換向閥用控制線 Terminal Holder -----	1
28	8MB03200306X	螺絲 Screw (UTB0436 M3-0.5*3) -----	2
29	8MB04280608A	螺絲 Screw (UTB0130 M4-0.7*6) -----	2
30	4UTB010430	空氣管 Air Tube -----	1
31	66668	平口起子 Screwdriver -----	1
32	4UTB0004321	調壓濾水閥 Regulator -----	1
33	8WD30000015B	木螺絲 Wood Screw -----	2
34	4UTB000434	鬆線座 Thread Pull-off Block (see the table) -----	-
35	4UTB000435	導線 Thread Guide Eyelet -----	2
36	4UTB09A03361	鬆線組 Theard Tension Mechanism -----	1
37	4UTB010456	8mm空氣管接頭 Connector -----	2
38	4UTG010462	控制線接頭 Connector-----	1
39	4UTB040318	導線 Thread Guide Eyelet -----	1
40	4UTB0403191	鬆線滑板 Release Wedge -----	1
41	4UTB040320	導線座 Tension Post Support -----	1
42	4UTB040323	導桿 Guide Bar -----	1
43	4UTB09BA03431	鬆線組 Theard Tension Mechanism -----	1
44	2100001121	張力調整螺帽 Tension Nut (Red) (SH1121) (see the table) -----	-
45	2200000303	套管 Bushing (see the table) -----	-
46	2100001123	彈簧 Spring (Red) (SH1123) (see the table) -----	-
47	2200000305	彈簧座 Spring Seat (see the table) -----	-
48	2100001127	羊毛氈 Felt (see the table) -----	-
49	2100001126	張力控制盤 Tension Disc (see the table) -----	-
50	22000003081	螺樁 Stud (see the table) -----	-
51	22000003091	隔環 Spacer (see the table) -----	-
52	2600000355	導線組 Thread Guide Asm. (see the table) -----	-
52-A	2600000355A	導線 Thread Guide (see the table) -----	-
53	2200000312	導線 Thread Guide (see the table) -----	-
54	2100001121A	張力調整螺帽 Tension Nut (Yellow) (SH1121) (see the table) -----	-
55	2100041131	彈簧 Spring (Yellow) (SH1131) (see the table) -----	-

4.UTB08/UTB08B/UTB09/UTB09B/UTB09F/UTB09BF/UTG08/UTG09/UTG09F
 UTH08/UTH09/UTH09F 鬆線機構及更換零件
 Thread Tension Components And Motor Components



4.UTB08/UTB08B/UTB09/UTB09B/UTB09F/UTB09BF/UTG08/UTG09 UTG09F/UTH08/UTH09/UTH09F 鬆線機構及更換零件

Thread Tension Components And Motor Components

序號 Ref. No.	物料編號 Parts No.	名稱 Description	單位用量 Amt. Req.
56	231A00001922	張力控制組 Tension Asm. (Red) (see the table) -----	-
57	220A0000315	張力控制組 Tension Asm. (Yellow) (see the table) -----	-
58	8MN06400600A	螺絲 Screw (CT0244 M6-1*6) -----	2
59	4UTB020303	針定位器 Synchronizer -----	1
60	4UTB02A0304	針定位器組 Mount- on Type Synchronizer -----	1
61	4UTB02A0305	止動桿組 Stopper Set Asm. -----	1
62	4UTB020306	束線 Plastic Binding Wire -----	2
63	4UTB020307	六角板手 Allen Key -----	1
64	4UTB020308	止動桿 Stopper -----	1
65	8MC04281007A	螺絲 Screw (CT0113 M4-0.7*10) -----	1
◎ 66	4UTB02A0347	外置式定位器組 Mount- on Type Synchronizer Set-----	1
67	2200000812	限動環 Stop Collar -----	1
68	8MH85240300A	螺絲 Screw (CT0813 M3.5-0.6*3) -----	2
69	220A0000839	定位環組 Collar Asm.-----	1
70	22000003611	螺樁 Stud -----	-
71	240013087	磁導線環 Thread Eyelet -----	-

△: CXM2000 / CXN2000 機型用

◎: 選購,並須配合伺服馬達使用 <型號HVP-60,HVP-70,HVP-90>

◎: To choose and purchase: These two devices should be used together with AC servo motor <Model No:HVP-60,HVP-70,HVP-90>

機型 Model UTB08 / UTB09 / UTB09F / UTH08 / UTH09 / UTH09F

針數 Number of needle \ 序號 Ref. No.	2	13	24	25	34	18	19	20	23	36	44	45	46	47
2 Needle without Spreader	2	8pcs.	4pcs.	2pcs.	1pcs.	1	1	1	1	1	3	3	3	5
3 Needle without Spreader		10pcs.	5pcs.	3pcs.	1pcs.									
2 Needle with Spreader		11pcs.	6pcs.	2pcs.	2pcs.									
3 Needle with Spreader		13pcs.	7pcs.	3pcs.	2pcs.									

針數 Number of needle \ 序號 Ref. No.	48	49	50	51	52	52-A	53	54	55	56	57	70	71
2 Needle without Spreader	5	10	3	5	5	5	5	2	2	3	2	2	10
3 Needle without Spreader													
2 Needle with Spreader													
3 Needle with Spreader													

機型 Model UTG08 / UTG09 / UTG09F

針數 Number of needle \ 序號 Ref. No.	2	13	24	25	34	18	19	20	23	36	38	44	45	46				
2 Needle without Spreader	2	10	5	3	5	1	1	1	1	1	1	3	3	3				
3 Needle without Spreader															8pcs.	4pcs.	2pcs.	1pcs.
2 Needle with Spreader															11pcs.	6pcs.	2pcs.	2pcs.
3 Needle with Spreader															13pcs.	7pcs.	3pcs.	2pcs.

針數 Number of needle \ 序號 Ref. No.	47	48	49	50	51	52	52-A	53	54	55	56	57	70	71
2 Needle without Spreader	5	5	10	3	5	5	5	5	2	2	3	2	2	10
3 Needle without Spreader														
2 Needle with Spreader														
3 Needle with Spreader														

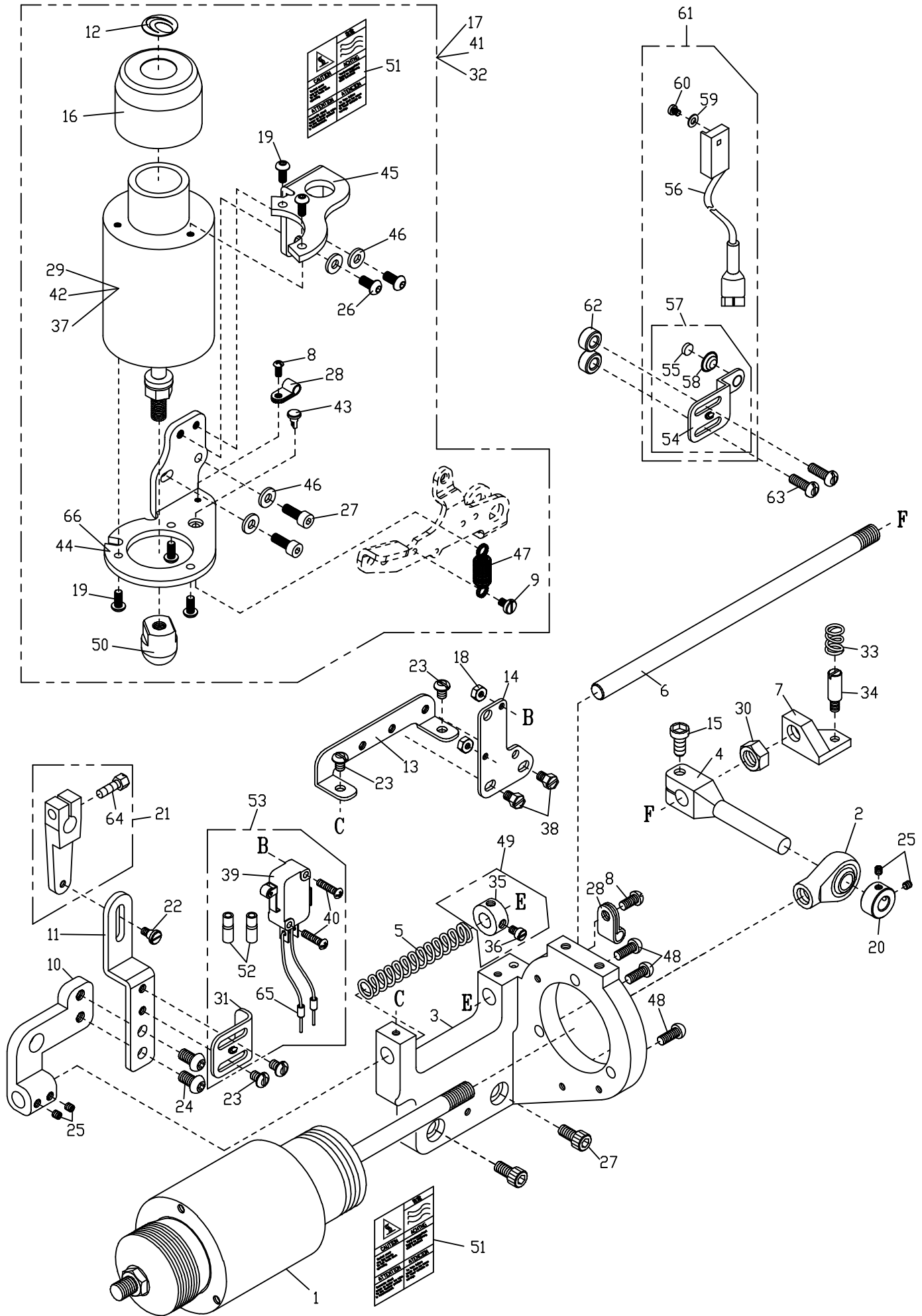
機型 Model UTB08B / UTB09B / UTB09BF (4針6線 4 Needle 6 Thread)

針數 Number of needle \ 序號 Ref. No.	2	13	24	25	34	39	40	41	42	43	44	45	46	47
4 Needle without Spreader	2	12	6	4	1	1	1	1	1	1	4	4	4	6
4 Needle with Spreader														

針數 Number of needle \ 序號 Ref. No.	48	49	50	51	52	52-A	53	54	55	56	57	70	71
4 Needle without Spreader	6	12	4	6	6	6	6	2	2	4	2	2	12
4 Needle with Spreader													

5. UTC03/UTC03F/UTC07/UTC07F/UTC08/UTC09/UTC09F/UTC10F

電控式組件 Electric Type Components



5. UTC03 / UTC03F / UTC07 / UTC07F / UTC08 / UTC09 / UTC09F / UTC10F

電控式組件 Electric Type Components

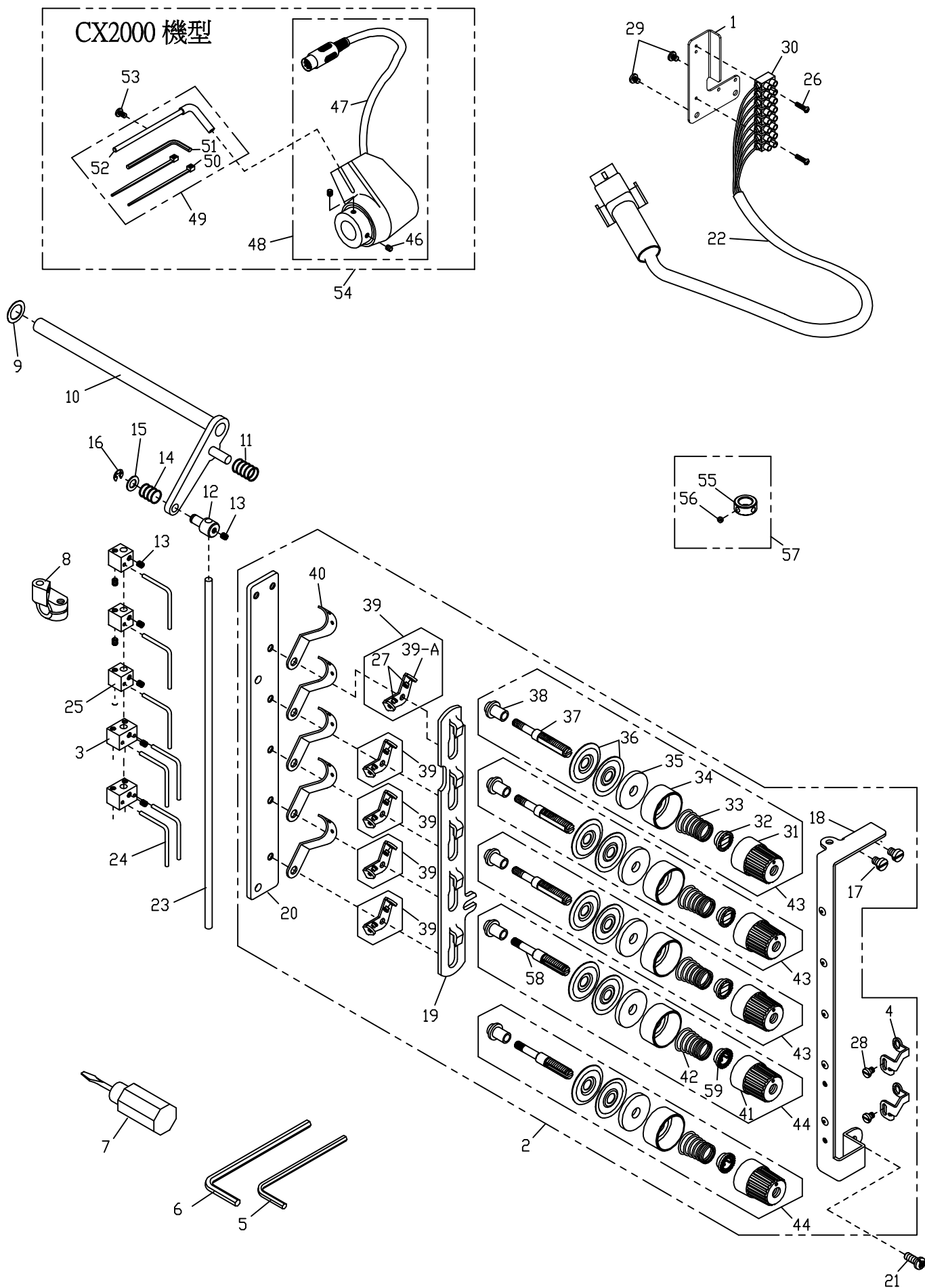
序號 Ref.No.	物料編號 Parts No.	名稱 Description	單位用量 Amt.Req.
1	4UTC040201	磁力線圈 Solenoid -----	1
2	4UTC040202	球軸連桿 Plunger Connecting Rod -----	1
3	4UTC0201031	承座 Plunger -----	1
4	4UTC040204	連桿 Connecting Plate -----	1
5	4UTC0201093	彈簧 Spring -----	1
6	4UTC040206	軸 Shaft -----	1
7	4UTC040207	承座 Plunger -----	1
8	8MC04280807D	螺絲 Screw (CT0130 M4-0.7*8) -----	2
9	8MB05320710G	螺絲 Screw (PFE020116 M5-0.8*7) -----	1
10	4UTC0201101	承座 Plunger -----	1
11	4UTC0201111	連桿 Connecting Plate -----	1
12	66480-11	銘板 Plate -----	1
13	4UTC0201131	基板 Base -----	1
14	4UTC0201141	安全開關座 Saftey Switch Bracket -----	1
15	8MM05321409A	螺絲 Screw (CT0632 M5-0.8*14) -----	1
16	4PFE010119	護蓋 Cover -----	1
***17	PFE2F	壓腳提昇組 Presser Foot Lifter,C.Set -----	1
18	8MA03200306A	螺帽 Nut (FTB0111 M3-0.5*3) -----	2
19	8MP05321210A	螺絲 Screw (UTB0340 M5-0.8*11.5) -----	5
20	4UTB010152	定位環 Collar -----	1
21	4UTC020121	曲柄 Tension Release Lever -----	1
22	8MB04280908G	螺樁 Stud (UTB0339 M4-0.7*4) -----	1
23	8MB04280507K	螺絲 Screw (FT0235 M4-0.7*5) -----	4
24	8MP05320810A	螺絲 Screw (STB0117 M5-0.8*8) -----	2
25	8MN04280400A	螺絲 Screw (CT0229 M4-0.7*4) -----	4
26	8MP06401211A	螺絲 Screw (UTB0302 M6-1*12) -----	2
27	8MM06401610A	螺絲 Screw (CT0625 M6-1*16) -----	4
28	4UTD000254	線夾 Cord Clamp -----	2
***29	4PFE2F0118	磁力線圈 Presser Foot Lifter Solenoid -----	1
30	8MA08500613A	螺帽 Nut (RP0208 M8-1.25*6) -----	1
31	4UTB020212	擋片 Stopper -----	1
**32	PFE2P	壓腳提昇組 Presser Foot Lifter,C.Set -----	1
33	2200000816	彈簧 Spring -----	1
34	8MB04280607M	螺樁 Stud (UTC2-01-34 M4-0.7*5.5) -----	1
35	4UTB010245	定位環 Collar -----	1
36	8MC95300606F	螺絲 Screw (CT0823 M4.5-0.75*5) -----	1
**37	4PFE1P0121	磁力線圈 Presser Foot Lifter Solenoid -----	1
38	8MK04280507A	螺絲 Screw (WPC0106 M4-1.7*5) -----	2
39	4UTB000336	安全開關 Saftey Switch -----	1
40	8MC03201606D	螺絲 Screw (UTB03351 M3-0.5*16) -----	2
41	PFE02	壓腳提昇組 Presser Foot Lifter,C.Set -----	1
42	4PFE010101	磁力線圈 Presser Foot Lifter Solenoid -----	1
43	4PFE020102	接頭 Joint -----	1
44	4PFE020103	固定座 Bracket -----	1
45	4PFE020104	固定座 Bracket -----	1
46	2100000323	墊圈 Washer (SH0323) -----	4
47	4PFE010106	彈簧 Spring -----	1
48	8MP05321610A	螺絲 Screw (UTC02-04-74 M5-0.8*16) -----	3
49	4UTB01A0255	定位環組 Collar Asm-----	1
50	4PFE010113	套管 Clutch Sleeve -----	1
51	4UTC000139	貼紙 Paster -----	2
52	4UTB020228	絕緣套管 Bushing -----	2
53	4UTB02A0255	觸控支架組 One Touch Type Safety Switch SET. -----	1
*54	4UTB020259	支架 Knife Holder Bracket -----	1
*55	4UTB000444	磁鐵 Magnet -----	1
*56	4UTB020256	安全開關 Safety Switch -----	1
*57	4UTB02A0249	支架組 Knife Holder Bracket Asm.-----	1
*58	4UTB020250	銅扣 Brass Button -----	1
*59	2200001025	墊圈 Washer -----	1
*60	8SB44400507A	螺絲 Screw -----	1
*61	4UTB02A0253	磁控支架組 Magnetic Type Safety Switch SET. -----	1
*62	2200001141	隔環 Spacer -----	2
*63	8MB04281207K	螺絲 Screw (CT0239 M4-0.7*12) -----	2
64	8MK95301407A	螺絲 Screw (CT0837 M4.5-0.75*14) -----	1
65	4UTB020272	公端子 Power cord -----	2
***66	4PFE2F0119	固定座 Bracket -----	1

* 磁控支架組用 For Magnetic Type Safety Switch SET

** 配合RP 使用

*** UTC03F / UTC07F / UTC09F / UTC10F 用

6. UTC08 / UTC09 / UTC09F 鬆線機構及更換零件 Thread Tension Components And Motor Components



6. UTC08 / UTC09 / UTC09F 鬆線機構及更換零件

Thread Tension Components And Motor Components

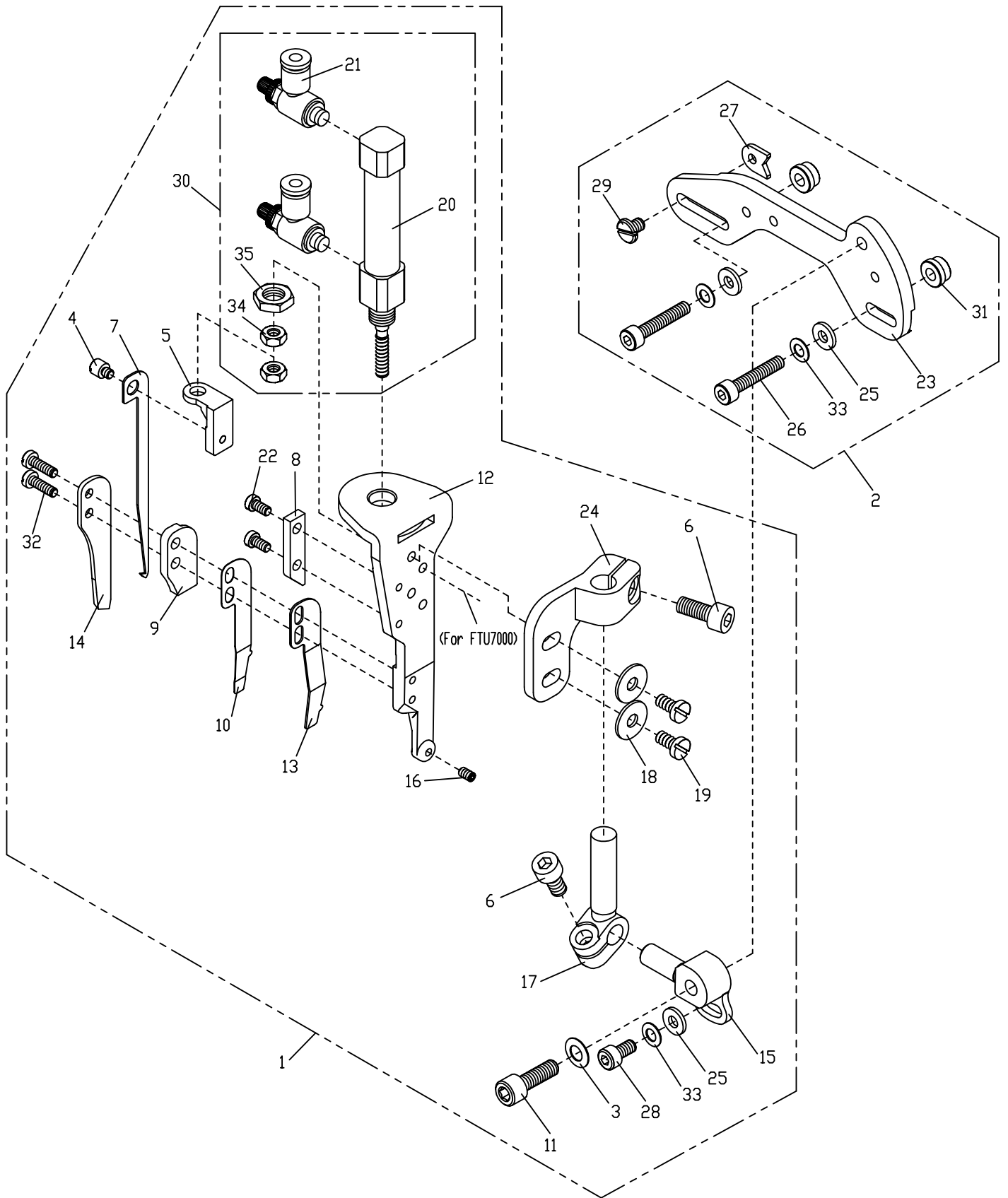
序號 Ref. No.	物料編號 Parts No.	名稱 Description	單位用量 Amt. Req.
1	4UTB080301	端子座固定架 Terminal Holder Support	1
2	4UTB09A03361	鬆線組 Theard Tension Mechanism	1
3	4UTB000434	鬆線座 Thread Pull-off Block (see the table)	-
4	4UTB000435	導線 Thread Guide Eyelet	2
5	66635	六角板手 Allen Key 2MM	1
6	66640	六角板手 Allen Key 2.5MM	1
7	66668	平口起子 Screwdriver	1
8	4UTB000451	結線鉤座 Looper Holder	1
9	4UTB010459	墊片 Clamp Spring Pressure Holder	1
10	4UTB000410	曲柄 Tension Release Shaft	1
11	4UTB000411	彈簧 Spring	1
12	4UTB000412	接頭 Pin	1
13	8MN03200300A	螺絲 Screw (CT0115 M3-0.5*3) (see the table)	-
14	4UTB000414	彈簧 Spring	1
15	2200001025	墊圈 Washer	1
16	90ER030	E 形扣環 E Ring	1
17	8MB04280507K	螺絲 Screw (FT0235 M4-0.7*5)	2
18	4UTB000418	導線 Thread Guide Eyelet	1
19	4UTB0004191	鬆線滑板 Release Wedge	1
20	4UTB000420	導線座 Tension Post Support	1
21	8MC04281007D	螺絲 Screw(CT0113 M4-0.7*10)	1
22	4UTB090322	換向閥用控制線 Terminal Holder	1
23	4UTB000423	導桿 Guide Bar	1
24	4UTB000424	鬆線桿 Release Bar	-
25	4UTB000425	鬆線座 Thread Pull-off Block (see the table)	-
26	8MC03201006D	螺絲 Screw (UTB0426 M3-0.5*10) (see the table)	2
27	240013087	磁導線環 Thread Eyelet	10
28	8MB03200306X	螺絲 Screw (UTB0436 M3-0.5*3)	2
29	8MB04280608A	螺絲 Screw (UTB0130 M4-0.7*6)	2
30	4UTB000457	控制線接頭 Connector	1
31	2100001121	張力調整螺帽 Tension Nut (Red) (SH1121)	3
32	2200000303	套管 Bushing	3
33	2100001123	彈簧 Spring (Red) (SH1123)	3
34	2200000305	彈簧座 Spring Seat	5
35	2100001127	羊毛氈 Felt	5
36	2100001126	張力控制盤 Tension Disc	10
37	22000003081	螺樁 Stud	3
38	22000003091	隔環 Spacer	5
39	2600000355	導線組 Thread Guide Asm.	5
39-A	2600000355A	導線 Thread Guide	5
40	2200000312	導線 Thread Guide	5
41	2100001121A	張力調整螺帽 Tension Nut (Yellow) (SH1121)	2
42	2100041131	彈簧 Spring (Yellow) (SH1131)	2
43	231A0001922	張力控制組 Tension Asm. (Red)	3
44	220A0000315	張力控制組 Tension Asm. (Yellow)	2
45	-----	-----	-
46	8MN06400600A	螺絲 Screw (CT0244 M6-1*6)	2
47	4UTB020303	針定位器 Synchronizer	1
48	4UTB02A0304	針定位器組 Mount- on Type Synchronizer	1
49	4UTB02A0305	止動桿組 Stopper Set Asm.	1
50	4UTB020306	束線 Plastic Binding Wire	2
51	4UTB020307	六角板手 Allen Key	1
52	4UTB020308	止動桿 Stopper	1
53	8MC04281007A	螺絲 Screw (CT0113 M4-0.7*10)	1
◎54	4UTB02A0347	外置式定位器組 Mount- on Type Synchronizer Set	1
55	2200000812	限動環 Stop Collar	1
56	8MH85240300A	螺絲 Screw (CT0813 M3.5-0.6*3)	2
57	220A0000839	定位環組 Collar Asm.	1
58	22000003611	螺樁 Stud	2
59	2100001122	止滑齒輪 Bush	2

◎：選購,並須配合伺服馬達使用 <型號HVP-60,HVP-70,HVP-90>

◎： To choose and purchase: These two devices should be used together with AC servo motor <Model No:HVP-60,HVP-70,HVP-90>

Ref. No.	3	13	24	25
2 Needle without Spreader	1pcs.	8pcs.	4pcs.	2pcs.
3 Needle without Spreader	1pcs.	10pcs.	5pcs.	3pcs.
2 Needle with Spreader	2pcs.	11pcs.	6pcs.	2pcs.
3 Needle with Spreader	2pcs.	13pcs.	7pcs.	3pcs.

7. STB04 上切線機構 Spreader Thread Trimmer Components For STB04

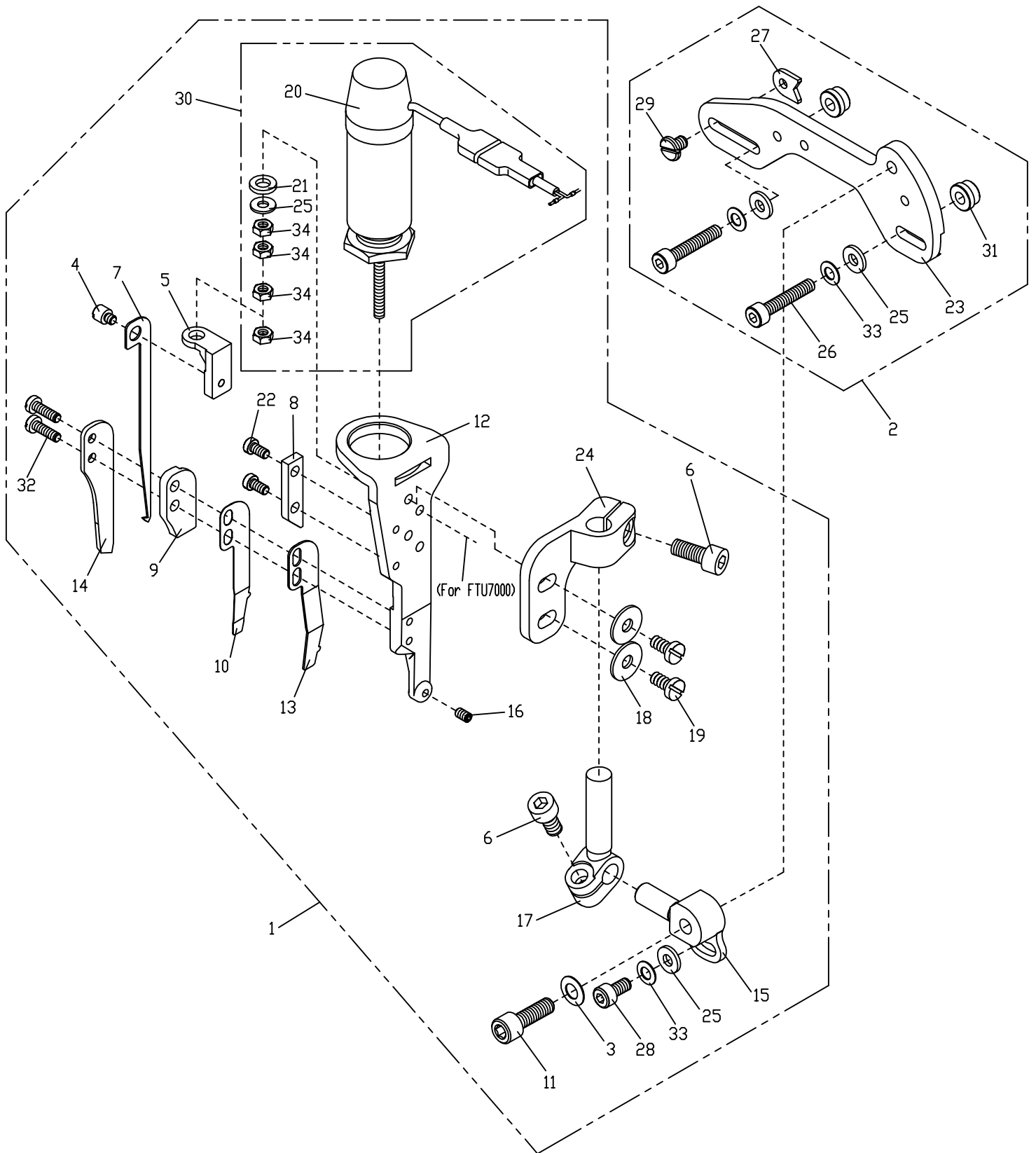


7. STB04 上切線機構 Sprearer Thread Trimmer Components For STB04

序號 Ref.No.	物料編號 Parts No.	名稱 Description	單位用量 Amt.Req.
1	4STB04A0101	上切線組 Sprearer Thread Trimmer Components -----	1
2	4STB04A0102	支架組 Bracket Holder Asm. -----	1
3	2200000228	碟形墊圈 Disk Washer -----	1
4	8MB03200305X	螺椿 Stud (STB40104 M3-0.5*3)-----	1
5	4STB040105	活動刀座 Upper Movable Knife Base -----	1
6	8MM05321209A	螺絲 Screw (FT0524 M5-0.8*12)-----	2
7	4STB040107	活動刀 Upper Movable Knife -----	1
8	4STB040108	滑道 Slide Block -----	1
9	4STB040109	滑道 Knife Guide -----	1
10	4STB040110	簧片 Thread Clamp Spring-----	1
11	8MM05321609A	螺絲 Screw (RP10111 M5-0.8*16)-----	1
12	4STB040112	氣缸座 Cylinder Holder -----	1
13	4STB040113	簧片 Knife Pressure Spring -----	1
14	4STB040114	固定刀片 Fixed Knife -----	1
15	4STB040115	曲軸 Lever -----	1
16	8MN03200500A	螺絲 Screw (RP10331 M3-0.5*5)-----	1
17	4STB040117	曲軸 Lever -----	1
18	2200000908	墊圈 Washer -----	2
19	8MC04280807A	螺絲 Screw (CT0120 M4-0.7*8)-----	2
20	4STB000120	氣壓缸 Cylinder-----	1
21	4STB000121	節流閥 Speed Controller -----	2
22	8MB03200606K	螺絲 Screw (CT1207 M3-0.5*6)-----	2
23	4STB040123	支架 Bracket Holder -----	1
24	4STB040124	支架 Bracket Holder -----	1
25	2100000223	墊圈 Washer -----	3
26	8MM04282207A	螺絲 Screw (MN210110 M4-0.7*22)-----	2
27	4STB020127	定位塊 Knock Block -----	1
28	8MM04280807A	螺絲 Screw (MT0124 M4-0.7*8) -----	1
29	8MB04280508A	螺絲 Screw (UTB20127 M4-0.7*5.5)-----	1
30	4STB00A0127	氣壓缸組 Cylinder Asm.-----	1
31	4STB040131	隔環 Spacer -----	2
32	8MB03201006A	螺絲 Screw (CT1204 M3-0.5*10) -----	2
33	90DW040	碟形墊圈 Disk Washer -----	3
34	8MA04280307A	螺帽 Nut (CT0238 M4-0.7*3)-----	2
35	8MA08400311A	螺帽 Nut (UTA0318)-----	1

STB04 : 用於 CTU9011 / CTU9711 / CXU2000 / FTU7000 機型

8. STC04 上切線機構 Spreader Thread Trimmer Components For STC04

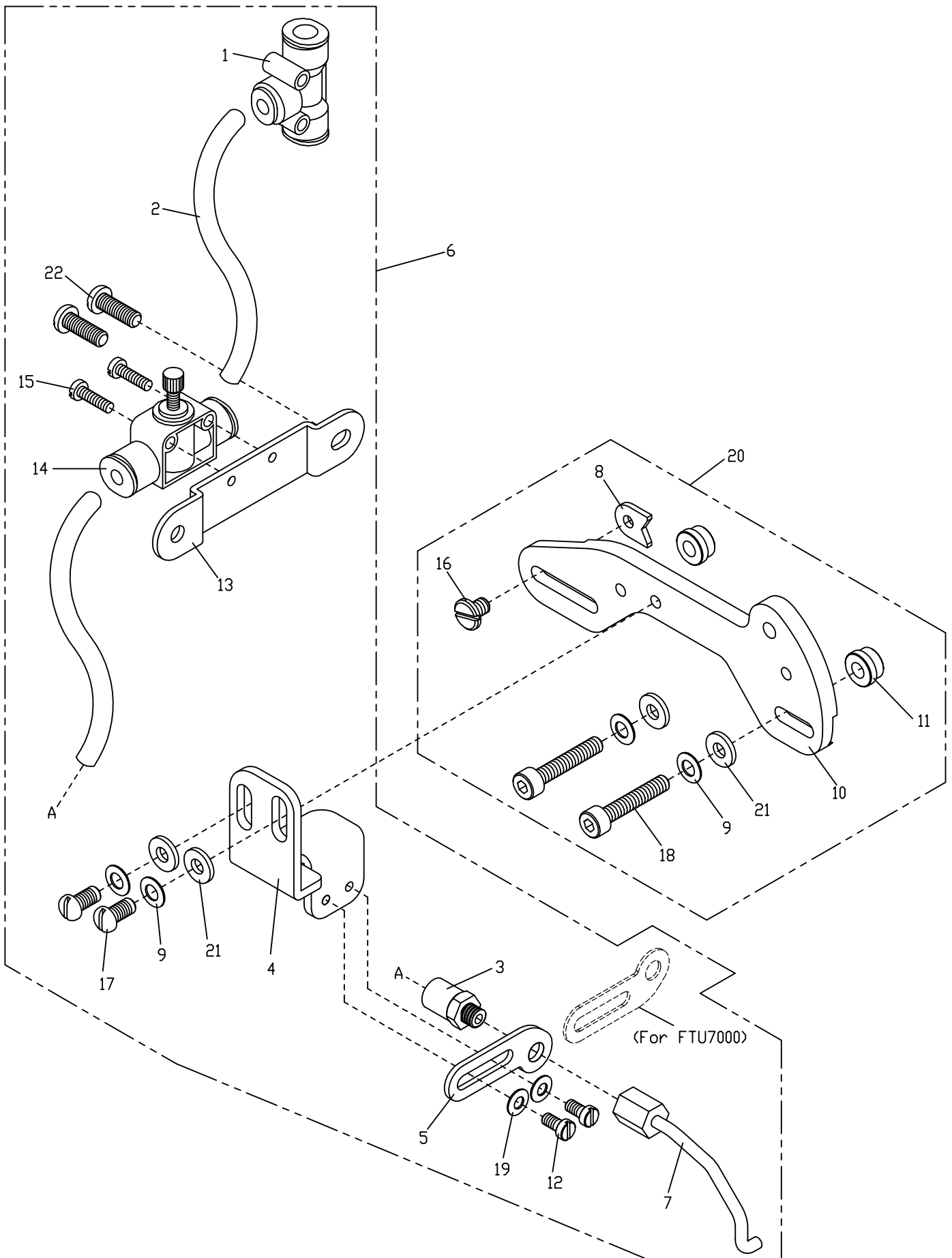


8. STC04 上切線機構 Sprearer Thread Trimmer Components For STC04

序號 Ref.No.	物料編號 Parts No.	名稱 Description	單位用量 Amt.Req.
1	4STC04A0101	上切線組 Sprearer Thread Trimmer Components -----	1
2	4STB04A0102	支架組 Bracket Holder Asm. -----	1
3	2200000228	碟形墊圈 Disk Washer -----	1
4	8MB03200305X	螺椿 Stud (STB40104 M3-0.5*3)-----	1
5	4STB040105	活動刀座 Upper Movable Knife Base -----	1
6	8MM05321209A	螺絲 Screw (FT0524 M5-0.8*12)-----	2
7	4STB040107	活動刀 Upper Movable Knife -----	1
8	4STB040108	滑道 Slide Block -----	1
9	4STB040109	滑道 Knife Guide -----	1
10	4STB040110	簧片 Thread Clamp Spring-----	1
11	8MM05321609A	螺絲 Screw (RP10111 M5-0.8*16)-----	1
12	4STC040112	磁力線圈座 Solenoid Bracket -----	1
13	4STB040113	簧片 Knife Pressure Spring -----	1
14	4STB040114	固定刀片 Fixed Knife -----	1
15	4STB040115	曲軸 Lever -----	1
16	8MN03200500A	螺絲 Screw (RP10331 M3-0.5*5)-----	1
17	4STB040117	曲軸 Lever -----	1
18	2200000908	墊圈 Washer -----	2
19	8MC04280807A	螺絲 Screw (CT0120 M4-0.7*8)-----	2
20	4STC0201201	磁力線圈 Solenoid -----	1
21	4STC000121	減震墊 Rubber Cushion -----	1
22	8MB03200606K	螺絲 Screw (CT1207 M3-0.5*6)-----	2
23	4STB040123	支架 Bracket Holder -----	1
24	4STB040124	支架 Bracket Holder -----	1
25	2100000223	墊圈 Washer -----	4
26	8MM04282207A	螺絲 Screw (MN210110 M4-0.7*22)-----	2
27	4STB020127	定位塊 Knock Block -----	1
28	8MM04280807A	螺絲 Screw (MT0124 M4-0.7*8) -----	1
29	8MB04280508A	螺絲 Screw (UTB20127 M4-0.7*5.5)-----	1
30	4STC02A0130	磁力線圈組 Solenoid Asm. -----	1
31	4STB040131	隔環 Spacer -----	2
32	8MB03201006A	螺絲 Screw (CT1204 M3-0.5*10) -----	2
33	90DW040	碟形墊圈 Disk Washer -----	3
34	8MA04280207A	螺帽 Nut (STC020102 M4-0.7*2.5)-----	4

STC04 : 用於 CTU9011 / CTU9711 / CXU2000 / FTU7000 機型

9. WPC03 吹氣式撥線裝置 WPC03 Air-Wipe Components

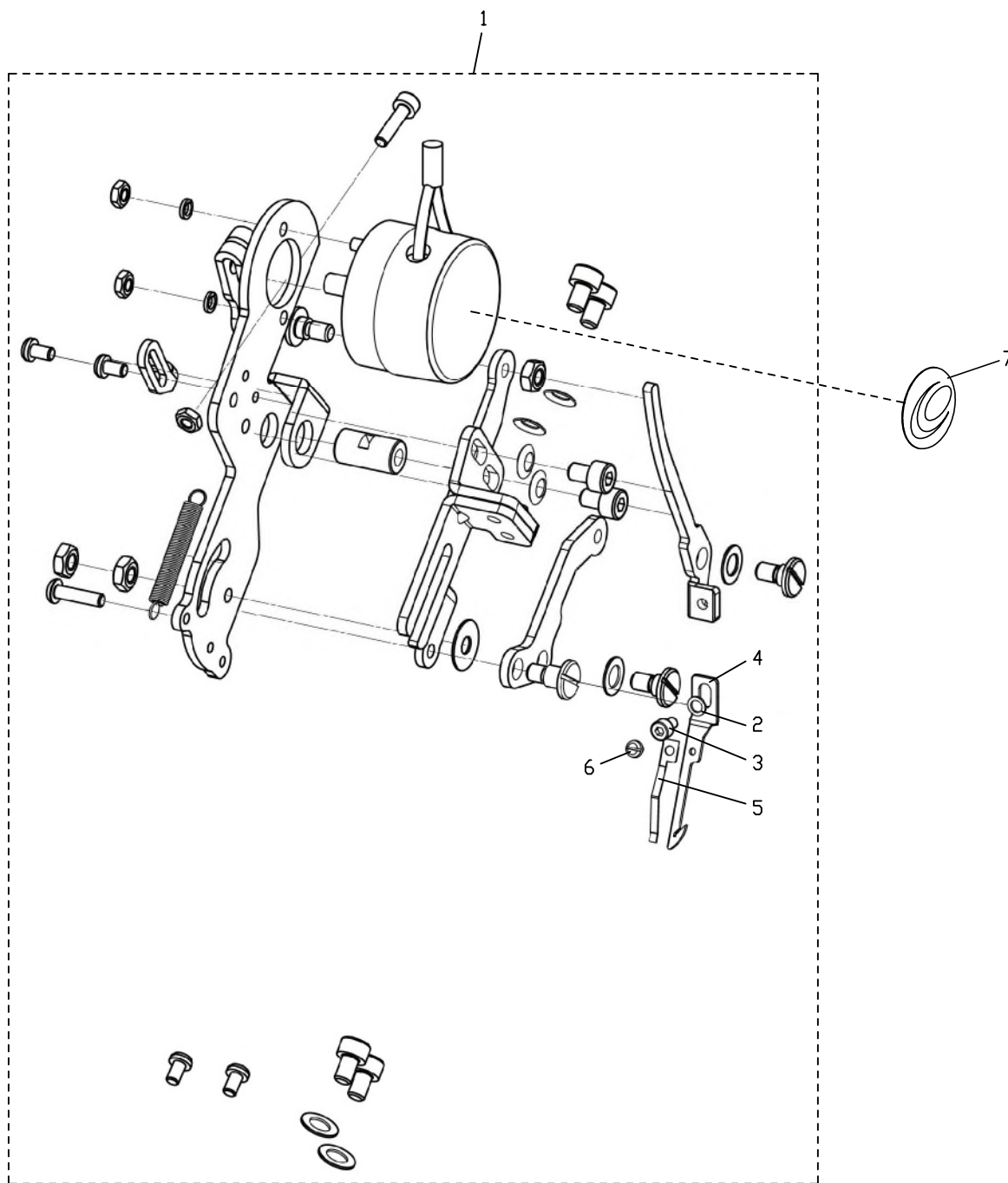


9. WPC03 吹氣式撥線裝置 WPC03 Air-Wipe Components

序號 Ref. No.	物料編號 Parts No.	名稱 Description	單位用量 Amt.Req.
1	4WPC000101	T 型管接頭 T Connector -----	1
2	4WPC000102	空氣管 Air Tube -----	2
3	4WPC000103	接頭 Controller -----	1
4	4WPC030104	支持臂 Holder Arm -----	1
5	4WPC030105	支架 Holder Bracket -----	1
6	4WPC03A0106	支架組 Bracket Holder Asm. -----	1
7	4WPC030107	吹氣管 Blow Tube -----	1
8	4STB020127	定位塊 Knock Block -----	1
9	90DW040	盂型墊圈 Dick Washer -----	4
10	4STB040123	支架 Bracket Holder -----	1
11	4STB040131	隔環 Spacer -----	2
12	8MB03200606K	螺絲 Screw (CT1207 M3-0.5*6) -----	2
13	4WPC0001131	支架 Holder Bracket -----	1
14	4WPC000114	節流閥 Speed Controller -----	1
15	8MC03201306D	螺絲 Screw (WPC0115 M3-0.5*12.5) -----	2
16	8MB04280508A	螺絲 Screw (UTB20127 M4-0.7*5.5)-----	1
17	8MB04280807K	螺絲 Screw (CT0215 M4-0.7*8)-----	2
18	8MM04282207A	螺絲 Screw (MN210110 M4-0.7*22)-----	2
19	90DW030	碟形墊圈 Disk Washer -----	2
20	4STB04A0102	支架組 Bracket Holder Asm. -----	1
21	2100000223	墊圈 Washer -----	4
22	8MC04281207D	螺絲 Screw (CT0102 M4-0.7*12)-----	2

WPC03 : 用於 CTU9011 / CTU9711 / CXU2000 / FTU7000 機型

10. WPG02 電控式撥線裝置 WPG02 Thread-Wipe Components



10. WPG02 電控式撥線裝置 WPG02 Thread-Wipe Components

序號 Ref.No.	物料編號 Parts No.	名稱 Description	單位用量 Amt. Req.
1	4WPG02A0101	電控撥線裝置 Thread-Wipe Components -----	1
2	4WPG020102	墊圈 Washer -----	1
3	4WPG020103	螺絲 Screw -----	1
4	4WPG020104	抓線鉤 Hook -----	1
5	4WPG020105	夾簧 Latch Spring -----	1
6	4WPG020106	螺絲 Screw -----	1
7	66480-18	銘板 Plate -----	1

註：用於 CTU9000 / CTU9711 / CXU2000 / CTU9100